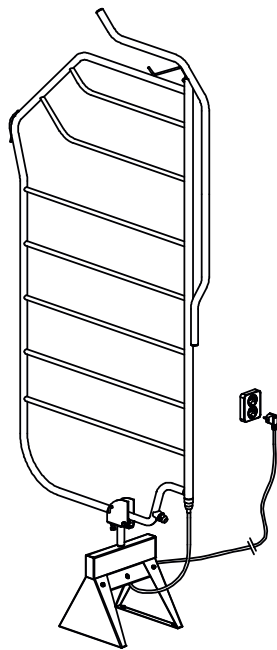
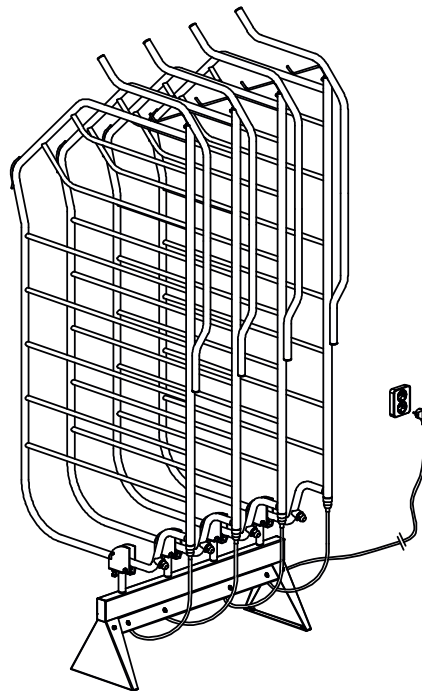


User's Manual Horse blanket drying rack



SINGLE DRYING RACK

**EU TYPE 1600230
US TYPE 1600115**



FOUR-FOLD DRYING RACK

**EU TYPE 4600230
US TYPE 4600115**

**Version: 2.0
Edition : 01/11/2016**



Table of Contents

| | |
|---|----|
| 1. Introduction | 3 |
| 2. Safety measures and warnings | 3 |
| 3. Product description | 8 |
| 3.1 Product description | 8 |
| 3.2 Overview of functions | 9 |
| 3.3 Dimensions | 10 |
| 4. Parts overview | 11 |
| 4.1 Exploded-view & parts list of single drying rack | 11 |
| 4.2 Exploded-view & parts list of four-fold drying rack | 12 |
| 5. Technical specifications | 13 |
| 6. Mounting preparation | 14 |
| 6.1 Overview of tools | 14 |
| 6.2. Pre-mounting switch block onto foot | 15 |
| 6.3 Surveying & determining position | 16 |
| 7. Mounting | 17 |
| 7.1. Mounting the foot to the floor | 17 |
| 7.2 Placing the drying rack | 18 |
| 7.3 Connecting plugs | 19 |
| 8. Commissioning and operation | 20 |
| 8.1 Switching the drying rack on and off | 20 |
| 8.2 Ventilating before first use | 21 |
| 8.3 Tilting drying rack | 22 |
| 8.4 Clamping horse blankets onto drying rack | 23 |
| 8.5. Tilting back drying rack and switching it on | 24 |
| 8.6 Tilting drying rack with dry horse blankets | 25 |
| 8.7 Taking off horse blankets from drying rack | 26 |
| 8.8. Tilting back drying rack and switching it off | 27 |
| 9. Faults | 28 |
| 10. Maintenance and cleaning | 29 |
| 11. Attestation of compliance | 30 |
| 12. Waste disposal | 31 |
| 13. Guarantee conditions | 31 |
| 14. Contact | 31 |

THIS MANUAL NEEDS TO BE SAVED SAFELY FOR FUTURE USE.

We advise you to contact your supplier for the period and conditions with respect to guarantee. We moreover refer to our General Terms and Conditions of Sales and Delivery which can be obtained upon request. SeBo Interior & Equipage B.V. may not be held liable for any damage or injury as a result of not adhering closely to this manual and not taking into account usual caution while transporting, assembling, using and maintaining this horse blanket drying rack. As a result of continuously trying to improve, it is possible that the product differs in detail from that which is described in this manual. For this reason, the given instructions only serve as a guideline for installing the product mentioned in this manual. This manual has been compiled with all possible care, but SeBo Interior & Equipage B.V. cannot accept any liability for any faults in this manual or any possible consequences thereof. Furthermore, all rights are reserved, and nothing from this manual may be reproduced in any manner whatsoever.

1. Introduction

Congratulations on the purchase of your electric horse blanket drying rack

This user's manual provides the important and necessary information about mounting and using your horse blanket drying rack. We will try to take you through this manual thoroughly, so that you are entirely aware of the contents of this manual.

This manual needs to be stored in a safe, dry and shadowy place. In case of damage or loss, the user must request a new copy of the manual with the supplier.



2. Safety measures and warnings



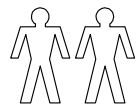
Important notes:

When using electrical devices, all safety rules need to be taken into account to prevent the risk of fire, electric shock or bodily injury, etc. For this reason, read through the safety regulations, but also instructions for placing, working and using the drying rack carefully, before commissioning the drying rack.

- Follow the directions and guidelines as described in this manual carefully. Never change the sequence of the operations performed. If any of them are not clear with regards to mounting, contact your supplier.
Subject to technical changes, without written notification.

Mounting:

- Keep to the applicable standards and legal regulations while installing.
- We recommend having the drying rack mounted by 2 people, as a standard (qualified technicians / recognised installers).
- Check the supply immediately after receipt. We request you to contact your supplier immediately in case of damage or incomplete supply.
- The materials need to be stored in a dry, ventilated space, not exposed to direct sunlight.
- Open the package carefully. Ensure that you do not damage the product. Remove any available protective film and transport package of the blanket drier.
- To prevent damage to the drying rack, place the parts on a soft, clean and flat surface.
- Adding or removing parts, or processing or machining materials other than in the prescribed manner, may have a negative influence on the safety of the drying rack and is thus to be strongly discouraged.
- Secure the mounting place via a security ribbon so that third parties are kept at a distance.
- Always wear the appropriate protective clothing (work gloves, dust mask, safety glasses, shoes with anti-slip, etc.) when carrying out the activities.



2. Safety measures and warnings (continued)



Location:

- The electric horse blanket drying rack is only intended for application in a well-ventilated space. A non-ventilated space may lead to overheating.
- Do not expose the drying rack to rain, snow, spray, excessive pollution and condensing conditions.
- The location of the device must be:
 - Dry.
 - Free from dust and contaminated air particles.
 - Well-ventilated by air.
 - Free from vibrations.
 - Between -25 °C and 50 °C and less than 80% humidity.
 - Well lighted.
 - Free from inflammable materials.
 - Free from explosive gases and fluids.
- Place the device removed from other articles. Ensure that the device has at least about 50 cm free space in both the standing and tilted position.
- Always place the device at an easily reachable place so that the device can be switched off “quickly and easily”.
- Mount the drying rack on a flat, stable, fire-proof/heat-resistant surface with sufficient load capacity. Ensure that the surface is clean and dry and that the drying rack is level. Anchor the foot of the drying rack so that it cannot fall over.
- Make sure that all means of fastening are properly tightened. Check this regularly.
- The kind of means of fastening for floor mounting depends on the type of surface (steel, concrete or wood). The means of fastening need to be determined by the installer and are not delivered by default.
- Only use the four-fold drying rack on its own light group and earthing switch. Not more than 5 individual units on a group (depending on local regulations).
- Only use the drying rack in sockets provided with a protective earth and earthing switch.
- Check whether the voltage, indicated on the heating element, corresponds to the voltage of the electrical point to which you want to connect. The current supply must satisfy the applicable legal standards and national legislations.
- Do not use any extension cords.
- Do not use any multiple sockets since this device has too much power.
- Ensure that the electrical cable does not hang over (sharp) edges, does not need to make any sharp bends, cannot be towed and does not touch any hot surfaces. Keep the cable outside the walking route.
- Ensure that the drying rack and cords are at a safe location so that nobody can slip, stumble or fall over it. If required, tape the cords solidly to the floor.
- Place the device removed from other articles and out of reach of easily inflammable materials or fluids.
- Do not use the drying rack in a surrounding with risk of fire close to gas tanks, gas pipes or sprays. This gives rise to risk of explosion and fire.
- Do not install the drying rack close to sockets, distribution boxes, switches or electric cables.
- In case of fire, use a fire extinguisher suitable for extinguishing an electrical installation.



2. Safety measures and warnings (continued)



User:

- The blanket drier only needs to be used by people who are fully aware of what is in this user's manual.
- The blanket drier is not suited for use by children and people with a bodily, psychic or sensory handicap.
- NOTE! NEVER use the blanket drier in the presence of children and animals.
- Keep the blanket drier out of reach of children and never leave them alone with the drying rack. When choosing a place for the drying rack, take into account that it is out of reach of children. Keep the holes in, so that they don't play with the drying rack.



Use:

- Just like every device that produces heat, there are risks associated with the electric drying rack. Not observing safety regulations may result in serious fire injuries and fire. If any of them is not clear related to use, contact your supplier.



- **NOTE! The drying rack needs to be well vented before first use.**

The drying rack has an automatic air vent. Before using the drying rack for the first time, process a complete cycle once in order to discharge excessive air and fluid.

NOTE! The drying rack may discharge HOT FLUID upon first use. TAKE CARE OF FIRE INJURIES!

- It is an electric horse blanket drying rack. Only use the blanket drier for what it is intended. Otherwise life-threatening situations may occur!



- The horse blanket drying rack may only be used to dry horse blankets, breeches, saddle pads, and tendon boots.
- NEVER put inflammable materials on the drying rack if it is in use, the drying rack is hot and may cause bald spots and fire. NOTE: only use "non-flammable materials" which are resistant to temperatures of 90°C.



- The drying rack becomes extremely hot during use (up to 90°C), comparable to a heating radiator. NOTE! Use only the grips intended for the purpose. Do not touch the drying rack itself if it is hot or in use. Touching it may result in burns to the body, clothing or other sensitive materials. Even after use, the drying rack still remains really hot for a certain time. Let the drying rack cool off for at least 30 minutes with respect to injury / risk of burns.



- Always use the blanket drying rack with the grips. Moreover, always wear protective non-flammable clothing and gloves.

2. Safety measures and warnings (continued)

- NOTE! Only use and tilt the drying rack if it has been switched off and is sufficiently cooled off.
- Warning! NEVER leave the drying rack unattended during use of cooling off. Also never use the drying rack with an external voltage regulator like a dimmer, etc.; even that results in danger.



- NEVER place a horse blanket immediately from the drying rack onto your horse. This could cause burns. Let the horse blanket cool off before using it.
- The drying rack is only drip-proof. NOTE! Never place a soaked horse blanket on the drying rack. The switch block may not be wet during use.
- NOTE! Parts of the drying rack have sharp metal edges.



- NOTE! Ensure that fingers and limbs do not get jammed between racks and / or hinge parts.
- NOTE! Ensure that the drying rack in vertical position is always locked with the lock pin at the place of the hinge and that the adjusting bolt is tightened so that the drying rack cannot tilt free.



- If you want to tilt the drying rack, pull out the lock pin.
- NOTE! Ensure that when the rack tilts, the adjacent rack does not also tilt if blankets touch each other. This could lead to serious bodily injury.
- Always use the drying rack with 2 hands at the indicated grips. Hold it firmly when it is tilting and place the drying rack carefully on the ground.
NOTE! Ensure that feet and limbs do not get jammed under the rack.



- Use only the fluid intended for the purpose in the drying rack.
- Using other fluids could lead to serious injury and irreparably damage the device.
- The heating element is equipped with overheat protection. As soon as the radiator fluid reaches the temperature of 90°C, the fuse switches off the heating element to prevent further increase in temperature. Note: the overheating protection is there to protect you against potential dangers.



- The overheating protection can be activated if air is present in pipe radiator or if the radiator is empty (in case of leakage). Contact your supplier directly. Do not carry out any repair work yourself, it may be dangerous.



- No longer use the drying rack in case of leakage. If the drying rack is active, the power supply needs to be off. Before it can be used again, the drying rack must be checked and faulty parts replaced.
- Always switch off the drying rack if you are no longer using it. Remove the plug from the socket.
- If you notice shortcomings or a fault when using the drying rack, then immediately deactivate the device and cut off the power connection. There is risk of fire, injury or damage in that instance.



- If the drying rack, electric cable or plug show damage or fault, contact your supplier, the manufacturer or a recognised service point for repairs or replacement. Do not carry out any repair work yourself, it may be dangerous.
- NEVER open the blanket drying rack. This may result in electric shocks and every kind of guarantee expires with it.

2. Safety measures and warnings (continued)

Cleaning & maintenance



- We recommend that you clean the drying rack regularly. Always let the drying rack cool off before cleaning it.
- It is not allowed to clean the drying rack when it is being used, in view of the high temperature that the drying rack can reach.
- Never cool off the drying rack by means of a water jet. Quickly forced cooling off may damage the drying rack irreparably.



- Remove the tension from the device before you clean the device for your own safety.
- The drying rack is only drip-proof, as a result you need to be careful with water.
NOTE! Ensure that the switch block does **not** get wet when cleaning. Clean it with a soft, dry cloth.
- Clean the other parts of the drying rack with a damp soft cloth and/or with a recognised neutral cleaning agent. Do not use any aggressive cleaning and/or abrasives.
Some cleaning agents produce an unhealthy fume or ignite if they are used on a hot surface.
- Dry the drying rack well after use.



- NOTE! Always wear gloves when venting, and use a cloth.
- We request you to contact your supplier if the pipe radiator needs to be filled with warming fluid.



- NOTE! The drying rack (pipe radiator) may only be filled with the indicated warming fluid Bio-CV-Fluid, otherwise device may be irreparably damaged.
- The drying rack must be checked at least once a year for connections and damage. Immediately remove defects such as loose connections, etc.
- The device must not be used if it is damaged.
- Repairs and maintenance to parts of the drying rack may only be done by specialist staff qualified for the purpose / qualified installers and/or electricians.

Storage

- If the drying rack is not used for longer periods, we advise you to store the drying rack inside so that climatological factors have the least probability of damaging the drying rack.
- Pull the supports from the socket if you are not using the drying rack. Store the drying rack in the package only if the drying rack has sufficiently cooled off.
- Always let the drying rack cool down before transport.

Disposal

- Dispose of the product in accordance with local legislation and regulation.
- SeBo Interior & Equipage B.V. does not accept any liability whatsoever for any damage or injury as a result of not (strictly) observing the safety regulations and instructions in this manual, or of neglecting while transporting, assembling, using and maintaining this product and any accompanying accessories. SeBo B.V. is not responsible for any kind of damage.

3. Product description

3.1 Product description

The electric horse blanket drying rack is an electrically heated pipe radiator intended for drying (non-flammable) horse blankets, breeches, saddle pads, and tendon boots.

This drying method increases the life cycle of the blankets, prevents mould and unpleasant odours.

The drying rack concerns a system which can be turned and inclined, due to which horse blankets can be placed ergonomically and easily.

The drying rack is provided with clamps due to which the horse blankets can be fixed easily. Since the excessively long horse blankets can be clamped into the chest clip, they can be used for virtually all length dimensions.

The drying rack is made of stainless steel (SS) and is available as single and four-fold system.

The single system is composed of a foot, a single switch block and 1 rack.

The four-fold system is composed of a foot, a four-fold switch block and 4 racks.

Foot (single or four-fold)

The foot is to be mounted on the floor.

The kind of means of fastening for floor mounting depends on the type of surface (steel, concrete or wood). The means of fastening need to be determined by the installer and are not delivered by default.

Switch block (single or four-fold)

The switch block is easy to operate with a foot switch. With it, each rack can be switched on and off separately. Power turns off automatically after 3 hours of use by default.

It can clearly be seen whether the drying rack is on or off via a lamp in the switch.

The switch block has connections with respect to the heating element and a 230V connection for EU or 115V connection for the U.S.

The switch block is only drip-proof, it may thus not come in contact with water or moisture. The switch block is mounted on the foot using screws.

Drying rack

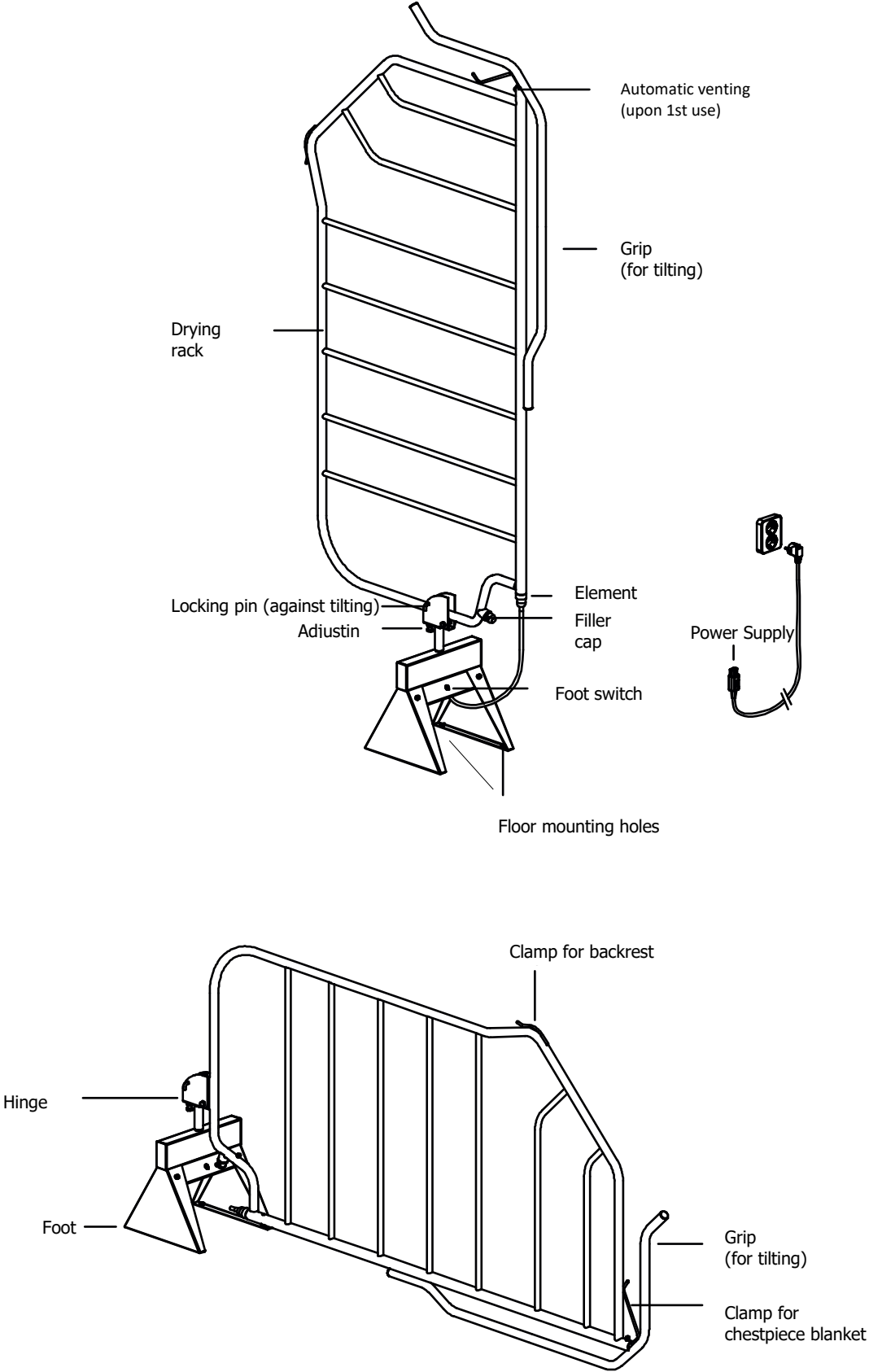
The rack is filled with environmentally friendly heating fluid Bio-CV-Fluid. The rack is factory pressured and checked for leakage. The rack is pre-mounted with warming element and hinge. This rack must be placed at the foot and the plugs connected. The rack is provided with grips at the front and top rack Use only these grips when using and tilting the rack. The drying rack itself becomes extremely hot during use (up to 90°C). Never touch the drying rack.

Heating fluid Bio-CV-Fluid.

The fluid refill is biodegradable, heats up to 20% faster than water, it is frost-resistant and not toxic to the environment. Metals remain unaffected (no lime or corrosion), and the life of the heating element is longer due to the fluid's special composition.

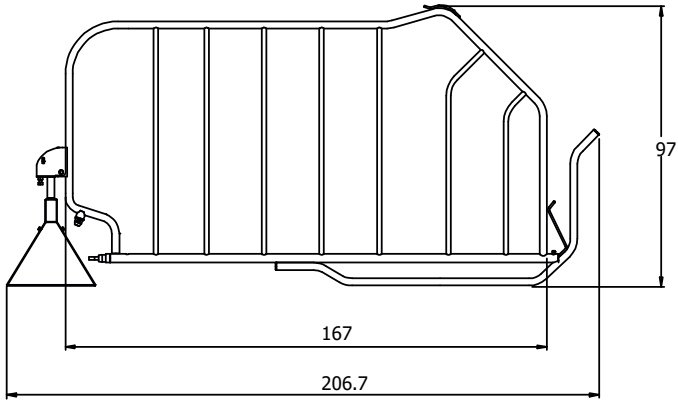
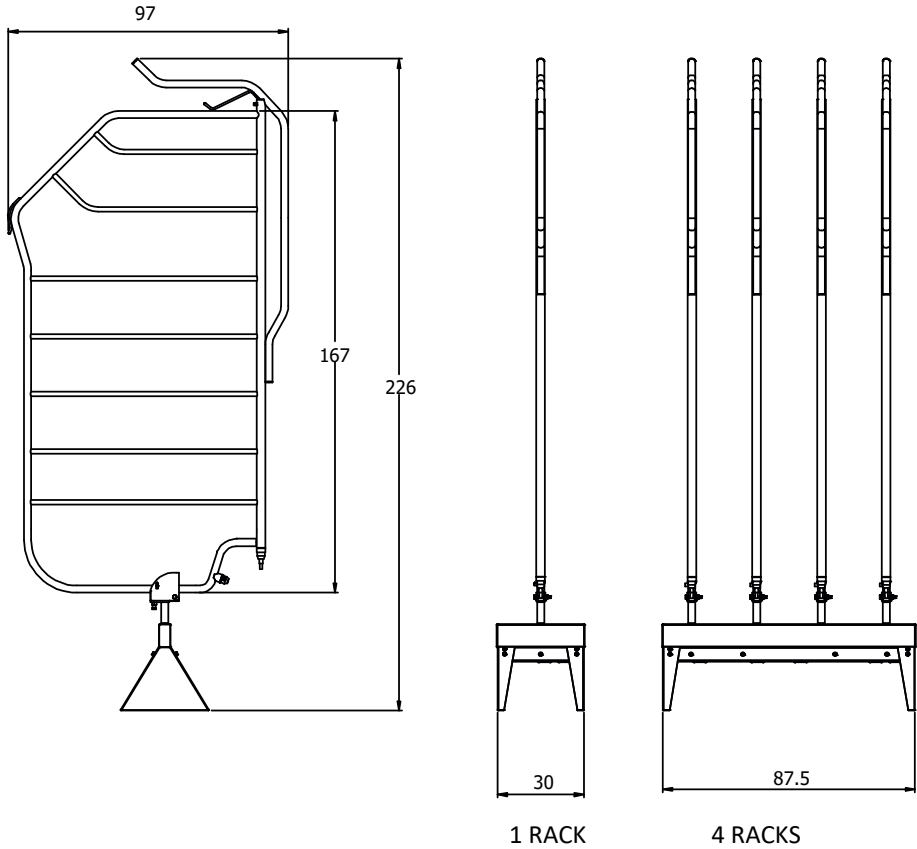
3.2 Overview of functions

The functions of the (single) drying rack are presented below.

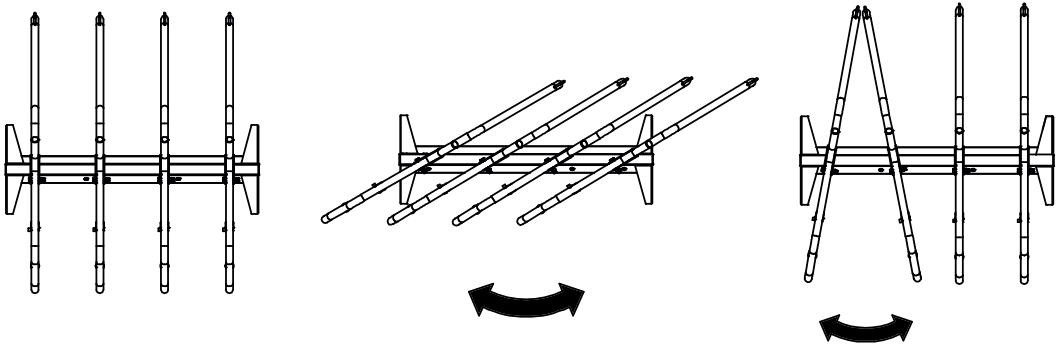


3.3 Dimensions

The dimensions of the (single and four-fold) drying rack are presented below. The measurement is in cm.



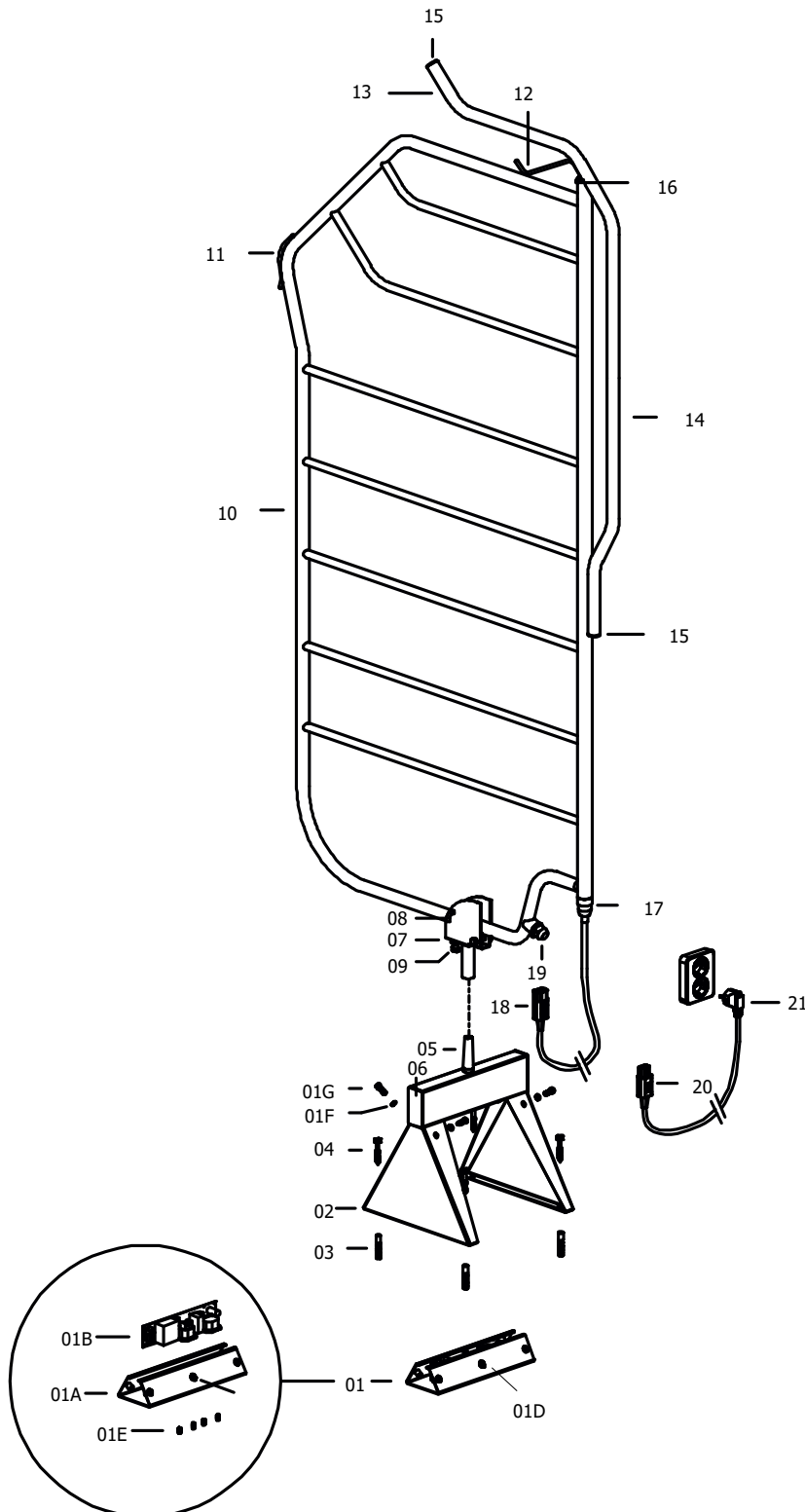
You can set up the drying rack by simply turning it around the vertical axis.



4. Parts overview

4.1 Exploded-view & parts list of single drying rack

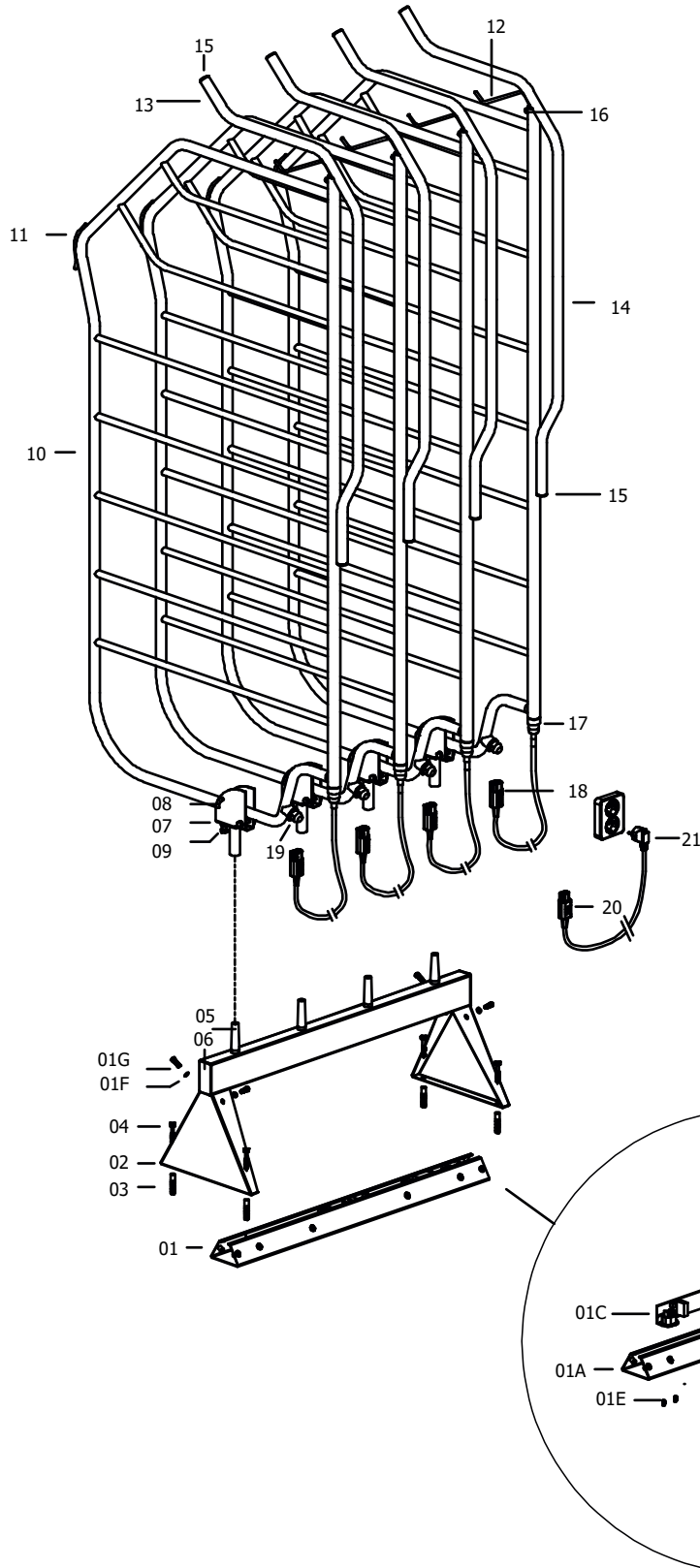
N.B. Always check the delivery slip of the delivered parts well for quantity and quality. Any visible defects need to be indicated within 7 days after delivery in writing.



| NO. | Description | Quantity |
|-----|--------------------------------|----------|
| 01 | Composition of switch block | 1 |
| 01A | Switch block | 1 |
| 01B | PCB printed board 1 | 1 |
| 01D | Foot switch | 1 |
| 01E | M3 screws | 4 |
| 01F | M6 washer | 4 |
| 01G | M6x20 Allen screws | 4 |
| 02 | Foot | 1 |
| 03 | Plug (option) | 4 |
| 04 | M8 coach screw (option) | 4 |
| 05 | Conical recording pin | 1 |
| 06 | End plug | 2 |
| 07 | Hinge | 1 |
| 08 | Lock pin | 1 |
| 09 | Adjusting bolt | 1 |
| 10 | Drying rack (pipe radiator) | 1 |
| 11 | Clamp for backrest part | 1 |
| 12 | Clamp for chestpiece blanket | 1 |
| 13 | Grip | 1 |
| 14 | Grip | 1 |
| 15 | End cap | 2 |
| 16 | Automatic air vent | 1 |
| 17 | Heating element | 1 |
| 18 | IEC plug | 1 |
| 19 | Filler cap | 1 |
| 20 | IEC plug | 1 |
| 21 | Earthed Schuko plug EU or U.S. | 1 |

4.2 Exploded-view & parts list of four-fold drying rack

N.B. Always check the delivery slip of the delivered parts well for quantity and quality. Any visible defects need to be indicated within 7 days after delivery in writing.



| NO. | Description | Quantity |
|-----|--------------------------------|----------|
| 01 | Composition of switch block | 1 |
| 01A | Switch block | 1 |
| 01B | PCB printed board 1 | 1 |
| 01C | PCB printed board 2 | 1 |
| 01D | Foot switch | 4 |
| 01E | M3 screws | 10 |
| 01F | M6 washer | 4 |
| 01G | M6x20 Allen screws | 4 |
| 02 | Foot | 1 |
| 03 | Plug (option) | 4 |
| 04 | M8 coach screw (option) | 4 |
| 05 | Conical recording pin | 4 |
| 06 | End plug | 2 |
| 07 | Hinge | 4 |
| 08 | Lock pin | 4 |
| 09 | Adjusting bolt | 4 |
| 10 | Drying rack (pipe radiator) | 4 |
| 11 | Clamp for backrest part | 4 |
| 12 | Clamp for chestpiece blanket | 4 |
| 13 | Grip | 4 |
| 14 | Grip | 4 |
| 15 | End cap | 8 |
| 16 | Automatic air vent | 4 |
| 17 | Heating element | 4 |
| 18 | IEC plug | 4 |
| 19 | Filler cap | 4 |
| 20 | IEC plug | 1 |
| 21 | Earthed Schuko plug EU or U.S. | 1 |

5. Technical Specifications

| | Single drying rack | Four-fold drying rack |
|----------------------------------|--|--|
| Voltage EU | AC 230 V 50/60 Hz | AC 230 V 50/60 Hz |
| Voltage U.S. | 115V | 115V |
| Power | 600 W | 2400 W |
| Weight | 20 kg | 20 kg |
| Dimensions standing (LxBxH) | 97x30x226 cm | 97x87.5x226 cm |
| Dimensions tilted (LxBxH) | 206x30x97 cm | 97x87.5x97 cm |
| Material | SS | SS |
| Protection class of switch block | IP21 | IP21 |
| Safety class | Class 1 | Class 1 |
| Earthing | Standard ground relay, incl. earth point | Standard ground relay, incl. earth point |
| Overheating protection | yes | Yes |
| Operating temperature: | -25 °C to +90 °C | -25 °C to +90 °C |
| Ambient temperature | -25 °C to +50 °C | -25 °C to +50 °C |
| Transport/storage temperature | -25 °C to +50 °C | -25 °C to +50 °C |
| Air humidity | Max. 80% | Max. 80% |
| Maximum pressure | 0.5 bar | 0.5 bar |
| Heating fluid | Bio-CV-Fluid | Bio-CV-Fluid |
| Fluid contents per rack | 2.5 litres | 2.5 litres |
| CE | In agreement with the guidelines and standards of the EC | |

Electric heating element

See manual “Electric heating element for combined heating of tube radiators” of Tradeko, www.tradeko-eu for the technical specifications of the electrical heating element.

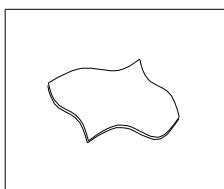
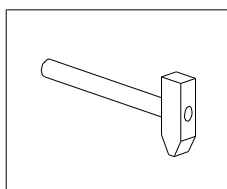
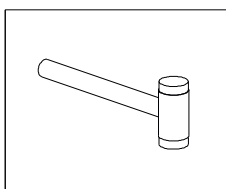
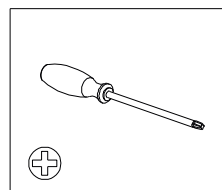
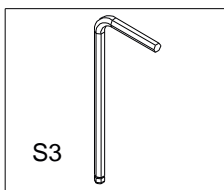
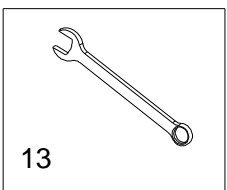
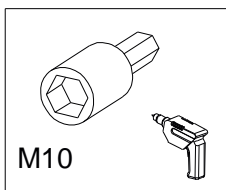
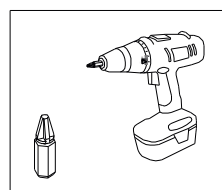
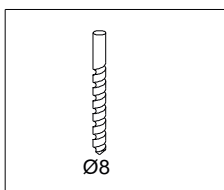
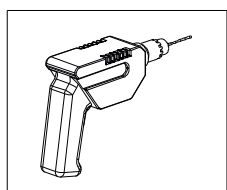
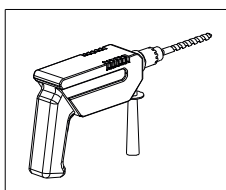
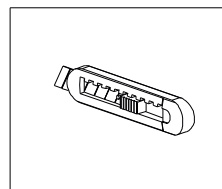
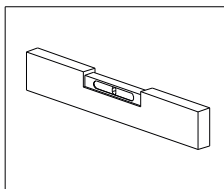
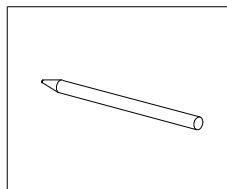
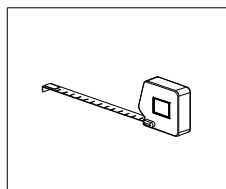
Heating fluid Bio-CV-Fluid.

See website www.vanweesoil.nl for the product specifications of the heating fluid Bio-CV-Fluid.

6. Mounting preparation

6.1 Overview of tools

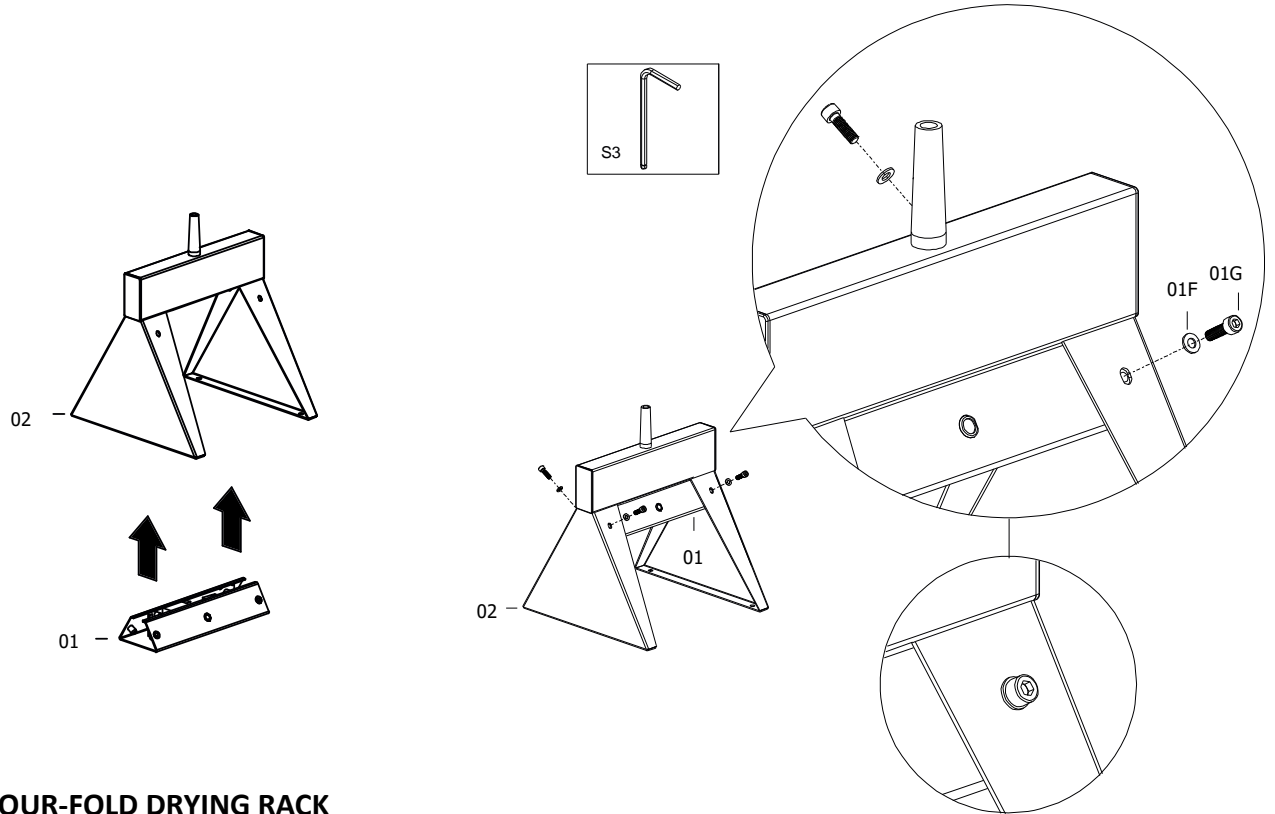
Below is an overview of the required tools.



6.2 Pre-mounting switch block onto foot.

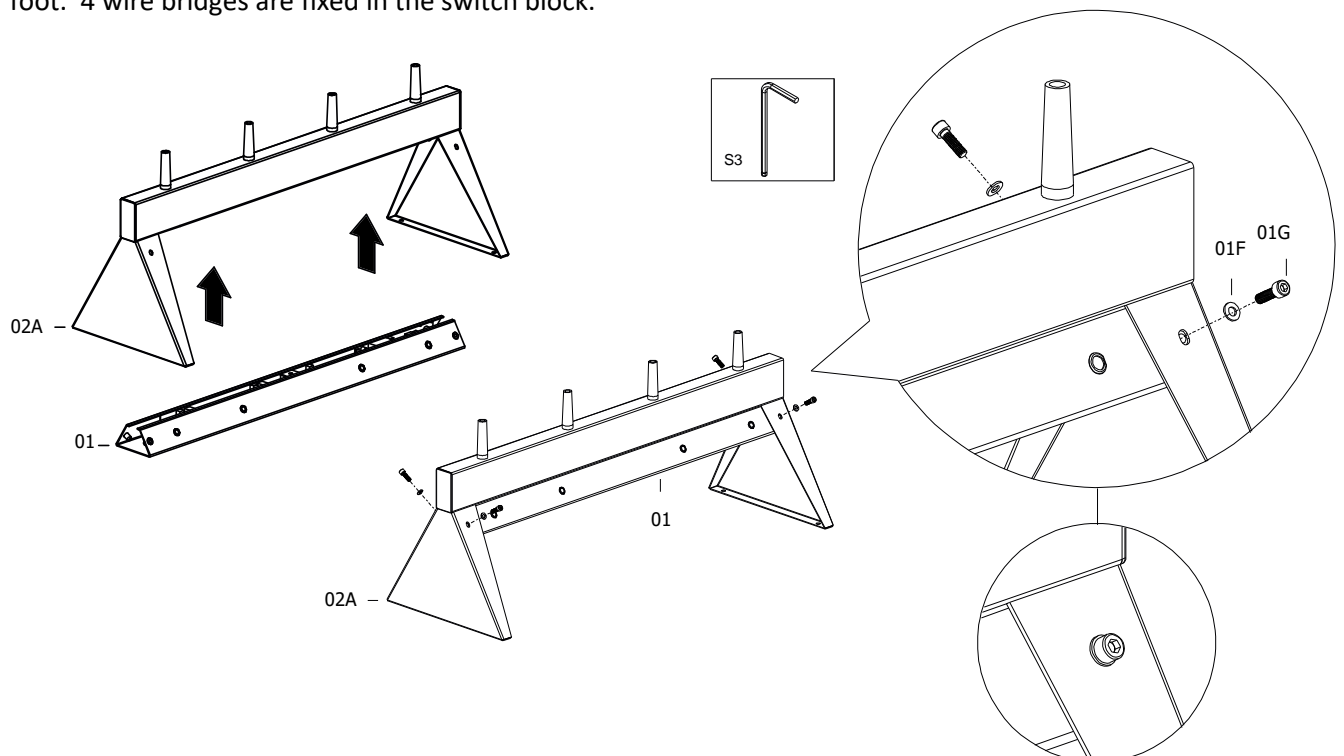
SINGLE DRYING RACK

Mount the single switch block with 4 M6x20 socket-head bolts on the front and rear sides of the foot. 4 wire bridges are fixed in the switch block.



FOUR-FOLD DRYING RACK

Mount the four-fold switch block with 4 M6x20 socket-head bolts on the front and rear sides of the foot. 4 wire bridges are fixed in the switch block.



6.3 Surveying & determining position

1. Place the drying rack removed from other articles. Ensure that the drying rack has at least about 50 cm free space in both the standing and tilted position.

Always place the drying rack at an easily reachable place so that the device can be switched off “quickly and easily”.



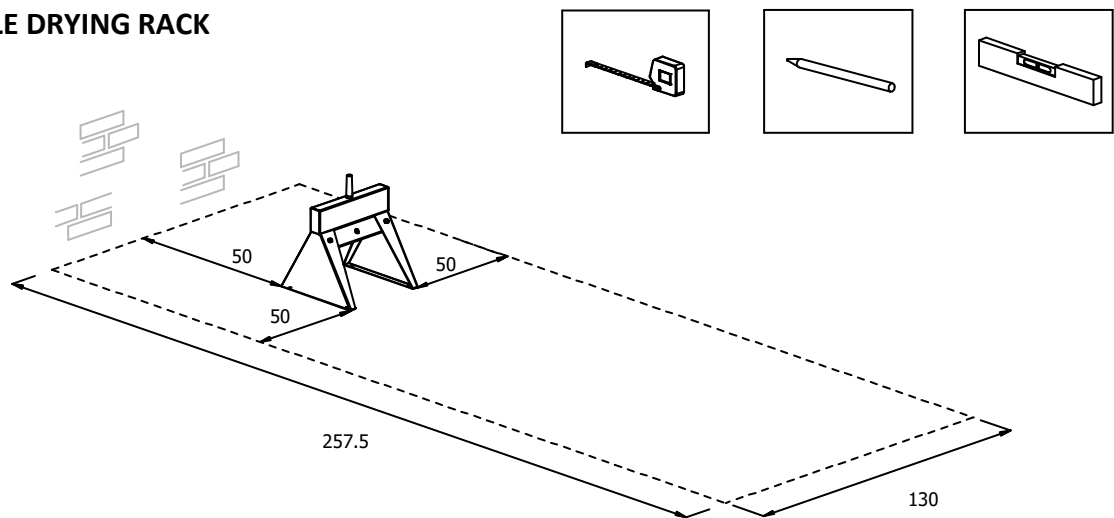
Place the drying rack on a flat, stable, fire-proof/heat-resistant surface with sufficient load capacity. Ensure that the surface is clean and dry.

NOTE: the floor must be completely level with regards to the risk of the drying rack tilting.

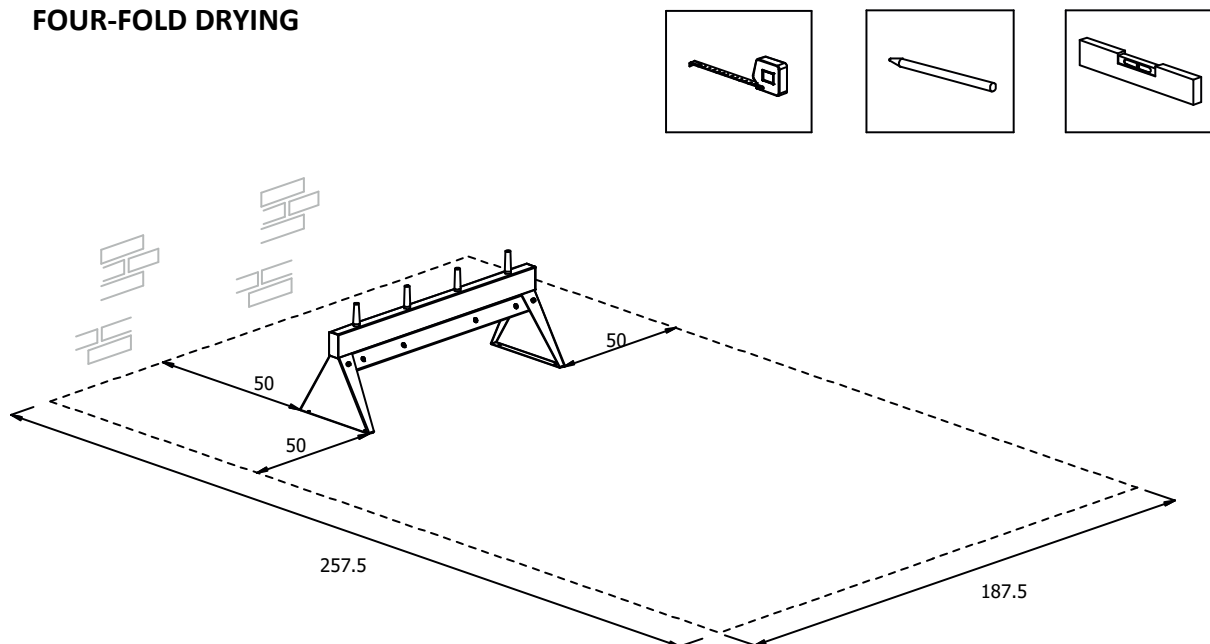
2. Outline the position where the foot needs to be positioned.

3. Mark the holes of the floor anchoring on the floor.

SINGLE DRYING RACK



FOUR-FOLD DRYING



7. Mounting

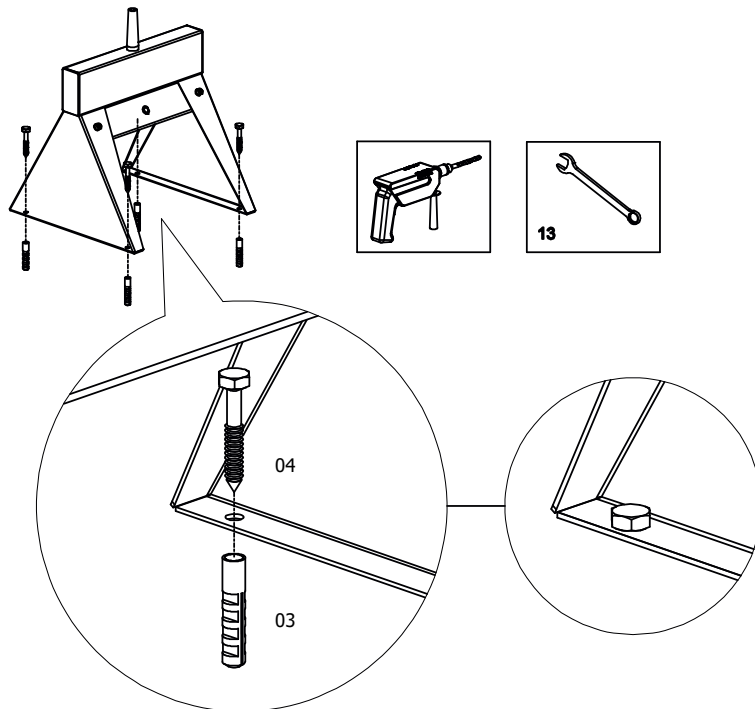
7.1. Mounting the foot to the floor



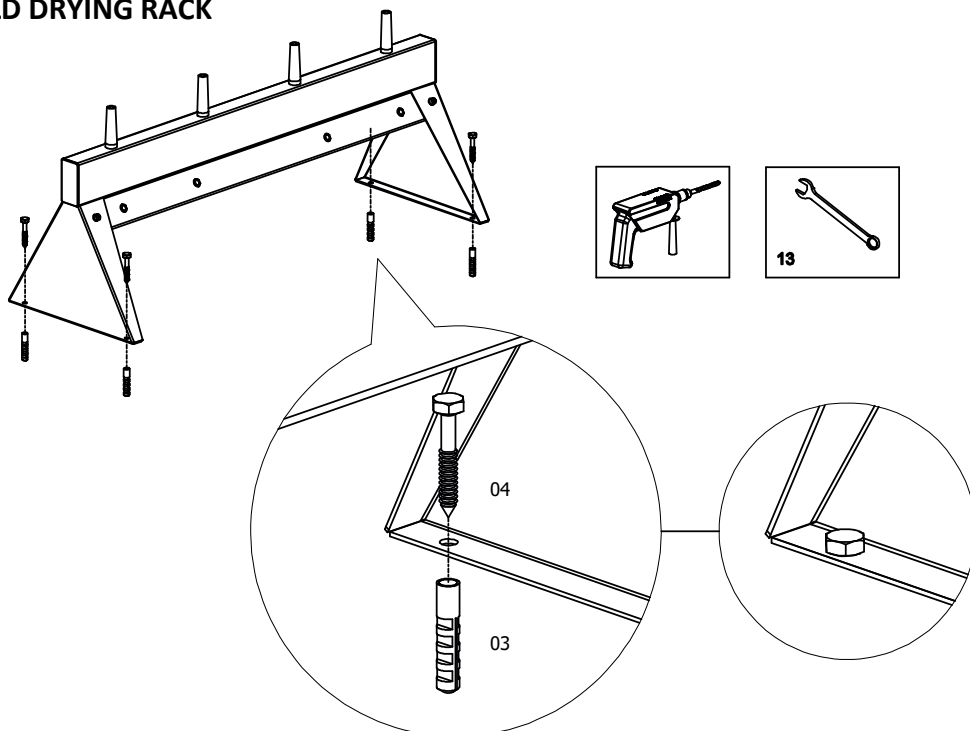
N.B. The kind of means of fastening for floor mounting depends on the type of surface (steel, concrete or wood). The means of fastening need to be determined by the installer and are not delivered by default.

1. Drill the 4 holes in the floor.
2. Mount the foot with 4 optional coach screws and plugs to the floor.

SINGLE DRYING RACK



FOUR-FOLD DRYING RACK



7.2 Placing the drying rack



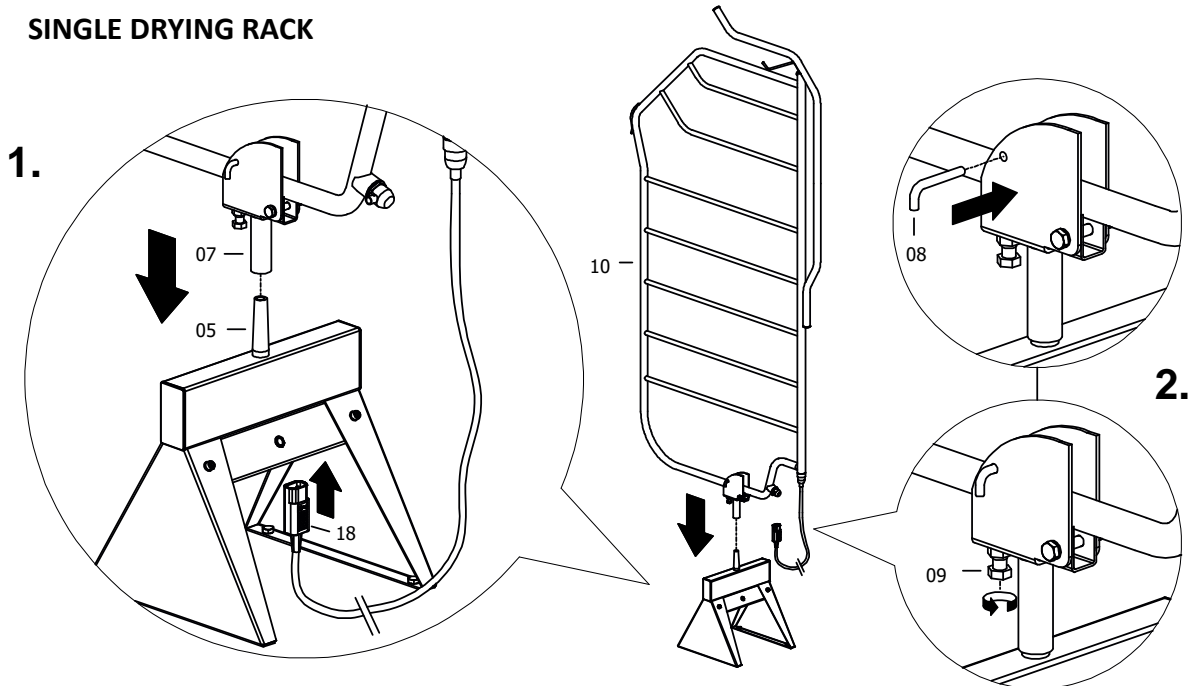
1. Place the drying rack with the hinge over the conical recording pin of the foot.

NOTE! The cable of the heating element needs to be at the front of the tilting side.

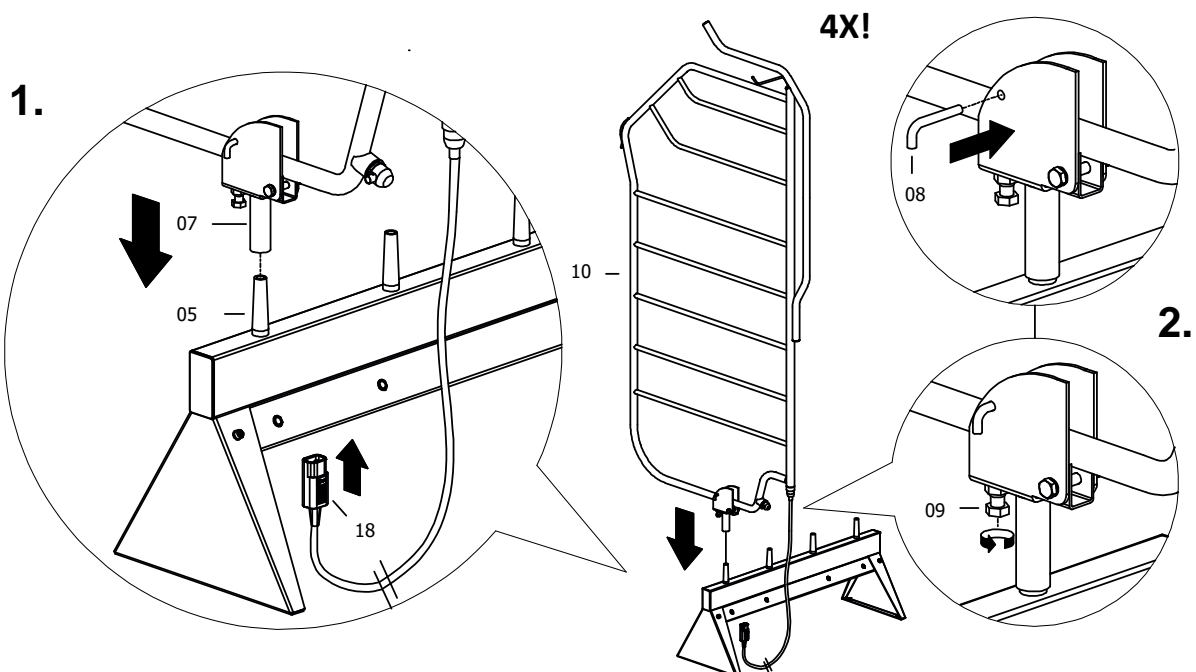
Place the plug (18) of the heating element in the contact found at the bottom of the switch block (in line with the drying rack).

2. **NOTE!** Ensure that the drying rack in vertical position is correctly locked with the lock pin (08) and that the adjusting bolt (09) is tightened so that the drying rack cannot tilt free.

SINGLE DRYING RACK



FOUR-FOLD DRYING RACK



7.3 Connecting plugs



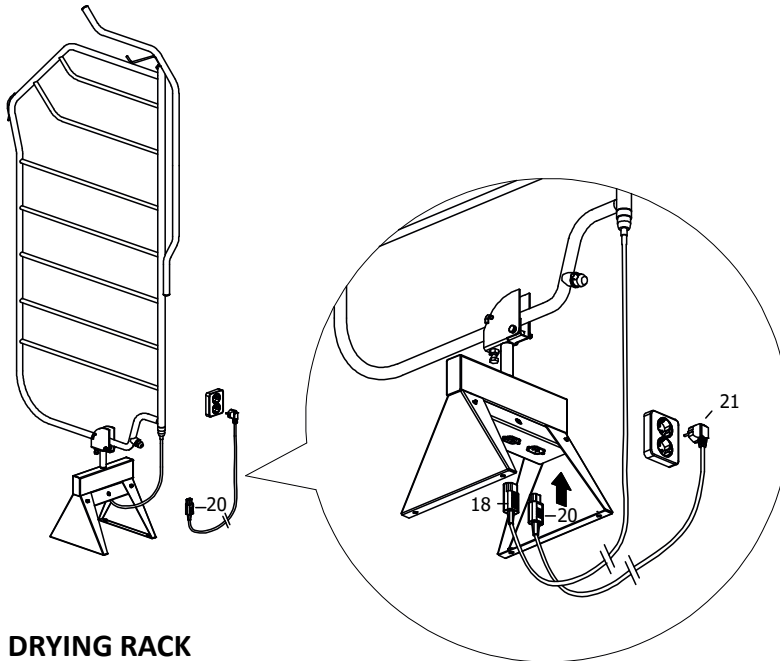
NOTE! Check whether the voltage, indicated on the heating element, corresponds to the voltage of the electrical point to which you want to connect.

Only use the drying rack in sockets provided with a protective earth switch.

Ensure that the cables do not hang over (sharp) edges, do not make any sharp bends, cannot be towed and do not touch any hot surfaces. Keep cables outside the walking route.

SINGLE DRYING RACK

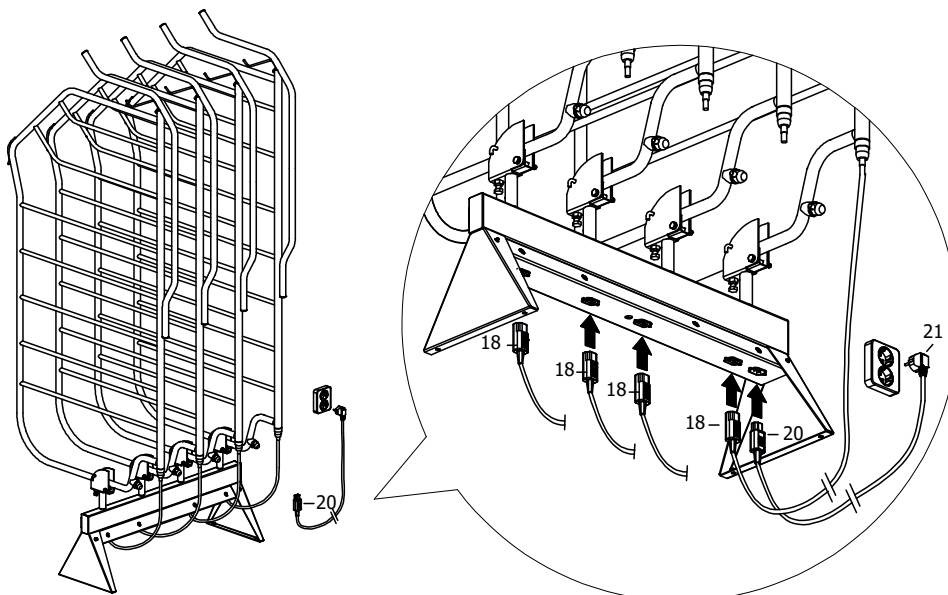
Place the IEC plug (20) of the heating element in the contact found at the bottom of the switch block. And finally, connect the power plug (21) to the mains socket.



FOUR-FOLD DRYING RACK

Place the other plugs of the heating elements in the contacts found at the bottom of the switch block (in line with the relevant drying rack).

Place the IEC plug (20) of the heating element in the contact found at the bottom of the switch block. And finally, connect the power plug (21) to the mains socket.



8. Commissioning and operation

8.1 Switching the drying rack on and off

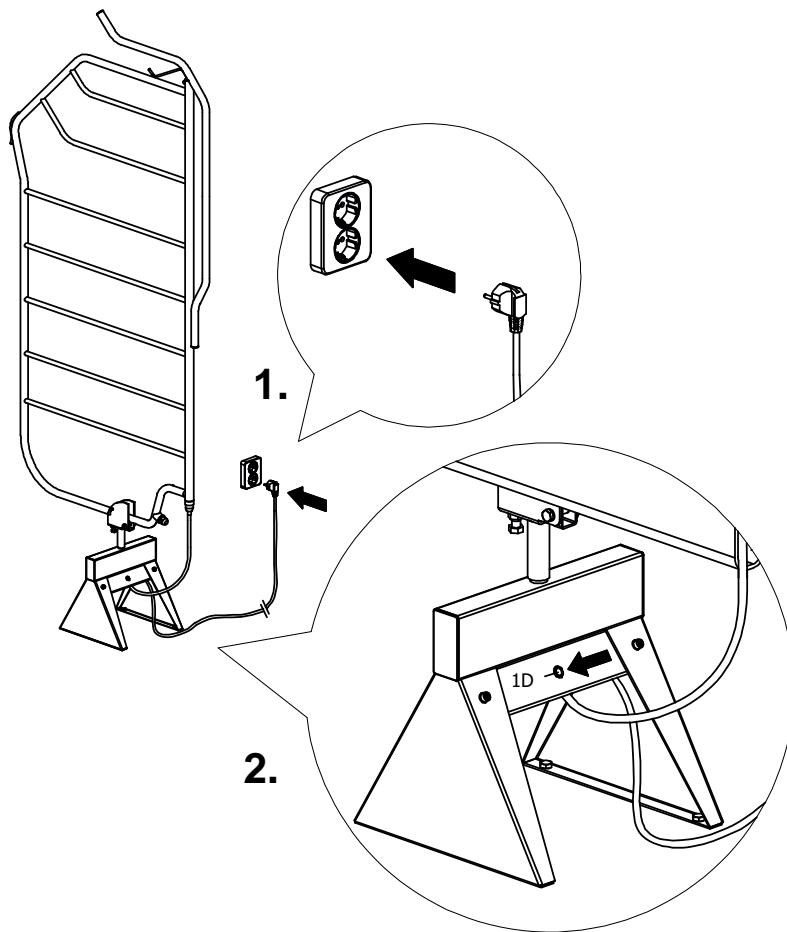
The switch block is easy to operate with a foot switch. With it, each rack can be switched on and off separately.

Switching on

1. Place the power plug into the mains socket.
2. Put the drying rack ON by pressing your foot once onto the foot switch (1D). The switch is activated and the light is illuminated.

Switching off

3. Put the drying rack OFF by pressing your foot onto the foot switch (1D). The light of the switch is off. Power turns off automatically after 3 hours of use by default.
4. Remove the power plug from the mains socket.



8.2 Ventilating before first use



NOTE! The drying rack needs to be well vented before first use.

NOTE! No blanket, etc., needs to be placed onto the drying rack at the time of first use.

NOTE! Always wear gloves when venting, and use a cloth. Ensure that the heating fluid Bio-CV-Fluid does not come into contact with your clothes or parts of your body.



1. Place the rack in the vertical position. Put the power plug into the mains socket and turn on the drying rack by pressing onto the foot switch. Let the drying rack come to operating temperature, let the rack run for an entire cycle (3 hours), put the fluid out therewith and gather the air at the air vent (17) and automatically discharge excessive fluid and air.



NOTE! DURING THE FIRST CYCLE, HOT FLUID MAY LEAK FROM THE AUTOMATIC AIR VENT.

8.3 Tilting drying rack

The drying rack can be used after ventilating.



NOTE! The drying rack becomes extremely hot during use (up to 90°C). Use only the grips intended for the purpose. Do not touch the drying rack itself if it is hot or in use.

Touching it may result in burns to the body, clothing or other sensitive materials.

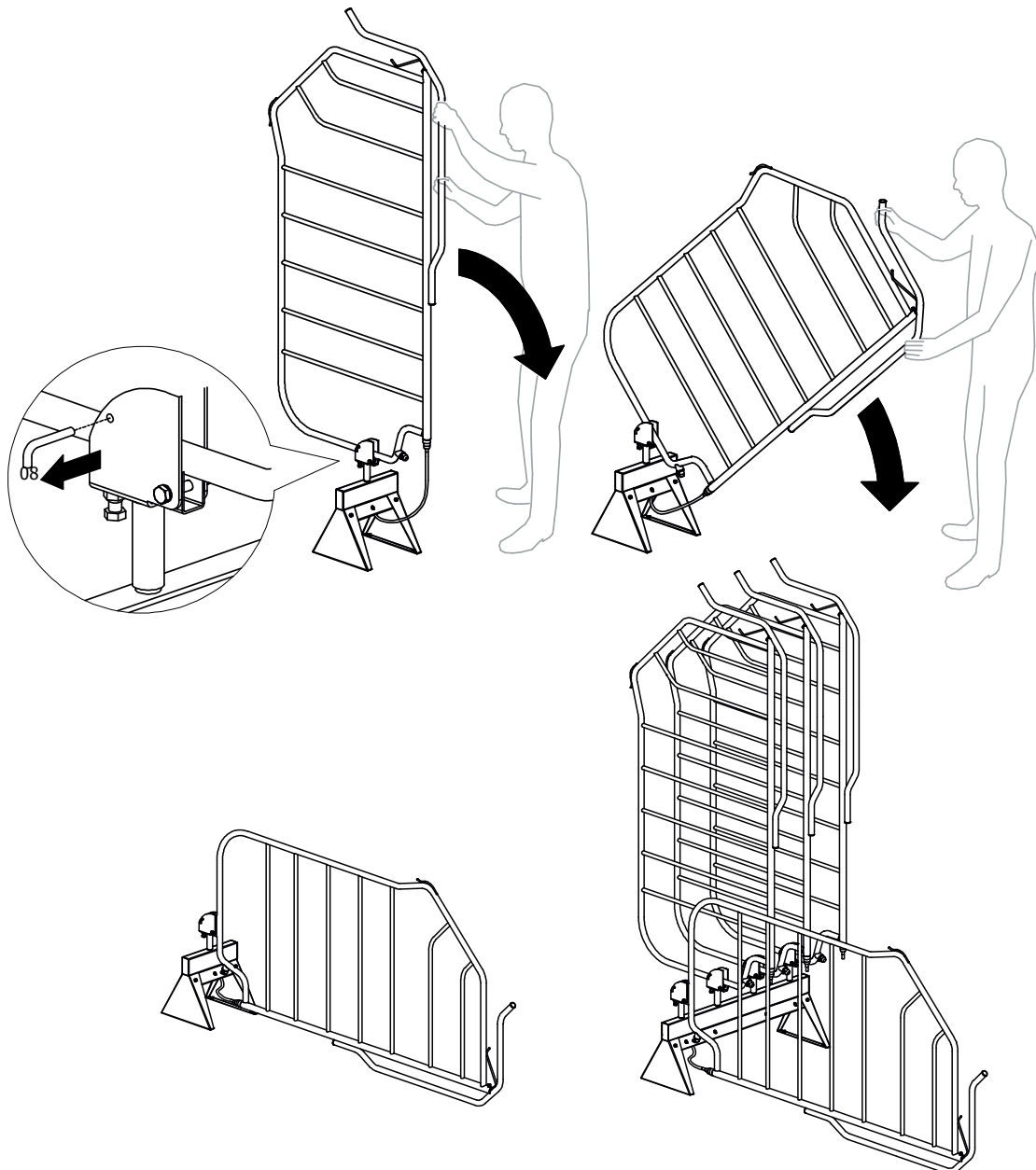
Always wear protective non-flammable clothing and gloves.



NOTE! Only use and tilt the drying rack if it has been switched off and is sufficiently cooled off.

NOTE! Ensure that fingers and limbs do not get jammed between racks and / or hinge parts.

1. Remove the locking pin from the hinge part so that the drying rack can tilt freely.
2. Take the drying rack with 2 hands at the vertical grip and tilt the drying rack carefully.
3. If the drying rack is below an angle of 45 degrees, take the uppermost grip with one hand.
4. Then hold the uppermost grip with both hands and tilt the drying rack up to the ground.



8.4 Clamping horse blankets onto drying rack

You can simply clamp your horse blanket onto the drying rack, so that it continues to remain in place while tilting and drying.

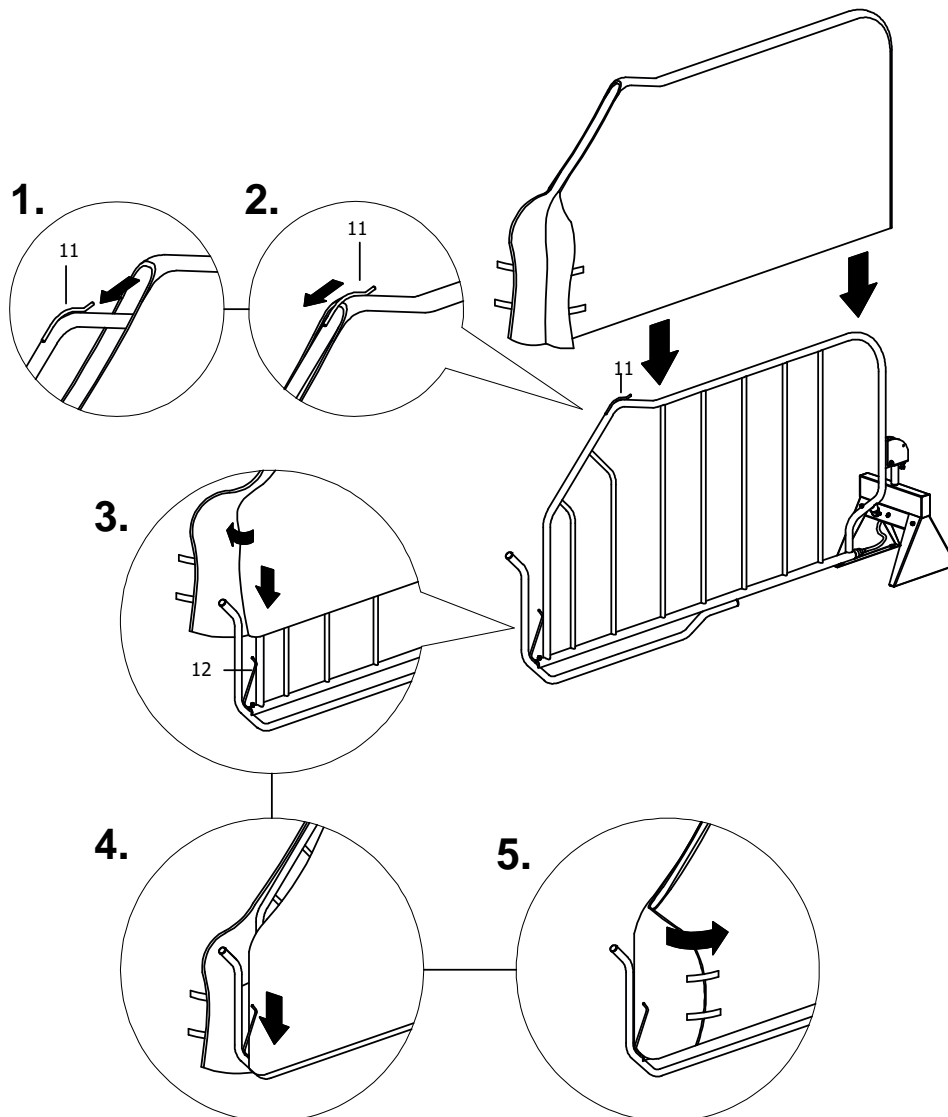


NOTE! NEVER put inflammable materials on the drying rack, the drying rack is hot and may cause bald spots and fire. NOTE: only use “non-flammable materials” which are resistant to temperatures of 90°C.

NOTE! Only put a blanket above the drying rack if the drying rack has sufficiently cooled off.

NOTE! Never place a soaked horse blanket on the drying rack. The switch block may not be wet during use.

1. Place horse blanket on the drying rack and push the backrest part under the uppermost clamp. Bigger blankets can be placed above the uppermost clamp.
2. Make sure that the backrest part is properly tightened.
3. Fold one flap of the breastpiece of the blanket inwards and push it under the clamp at the front.
4. Make sure that the breastpiece is properly tightened.
5. Fold the 2nd flap of the breastpiece with overlap inwards and push it under the clamp at the front.



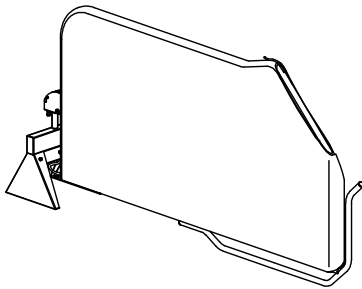
8.5. Tilting back drying rack and switching it on



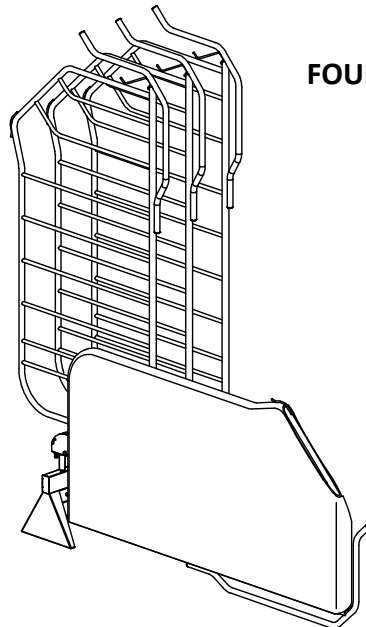
Check whether the horse blanket is correctly positioned on the drying rack. And ensure that all buckles, hook fasteners, flaps, etc., have properly tucked in, so that they cannot get entangled when the rack tilts.

NOTE! Ensure that the horse blanket does not come in contact with sharp parts, even the hinge, so that no damage may result.

SINGLE DRYING RACK

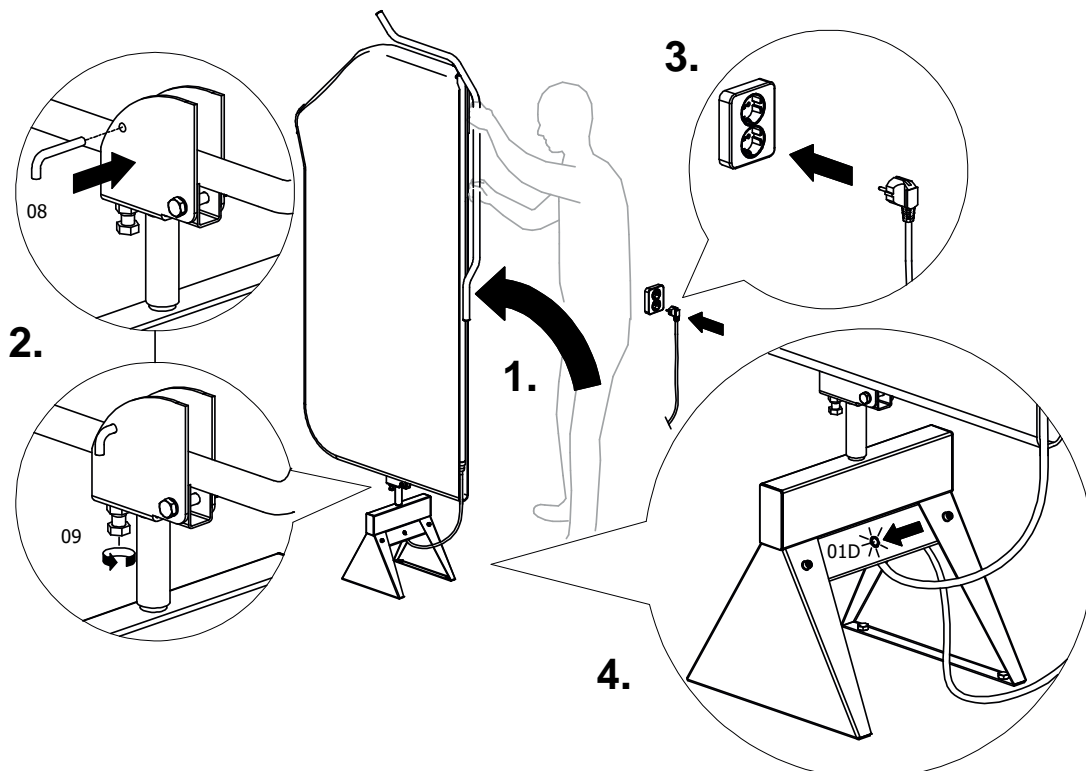


FOUR-FOLD DRYING RACK



NOTE:

1. Take the grip of the drying rack with 2 hands and tilt it to the vertical position.
2. Set the lock pin (08) and tighten the adjusting bolt (09) so that the drying rack cannot tilt free.
3. Place the power plug into the mains socket.
4. Put the drying rack ON by operating the foot switch (1D) gently with your foot. The switch is activated and the light is illuminated.



8.6 Tilting drying rack with dry horse blankets

1. If your horse blanket is dry, switch the drying rack OFF by tapping on the foot switch gently with your foot. The light of the switch is off.
2. Pull the power plug from the mains socket if you will no longer be using the drying rack hereafter.
3. Let the drying rack cool off for at least 30 minutes.

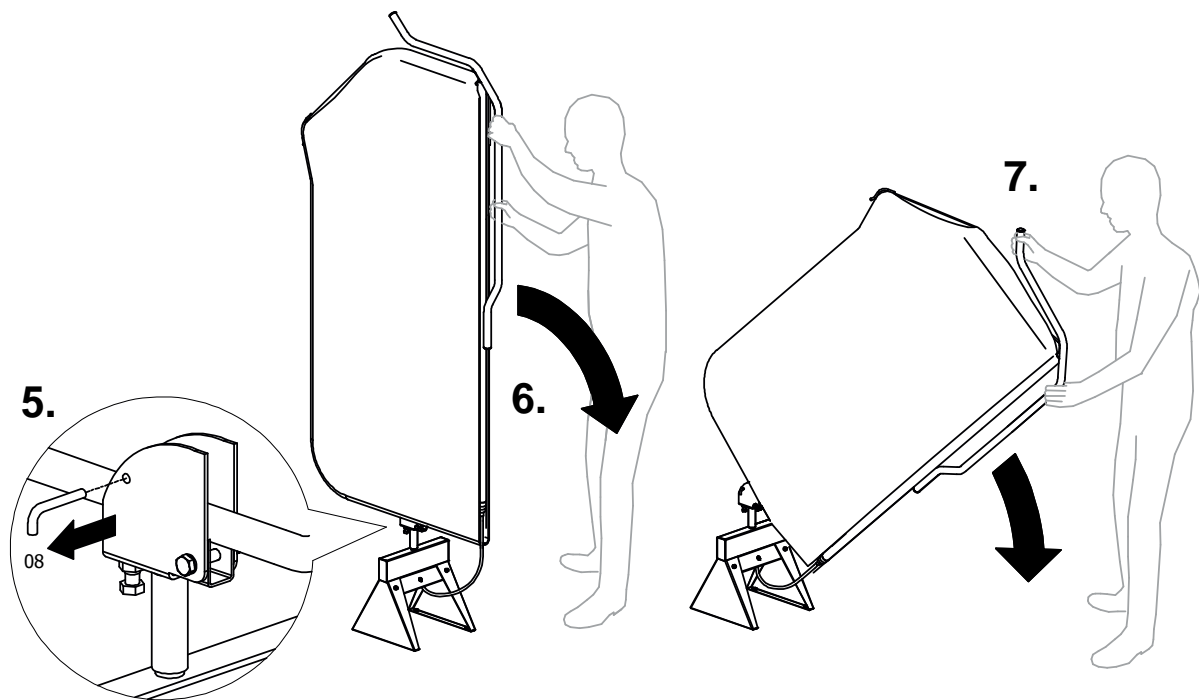


NOTE! Only use and tilt the drying rack if it has been switched off and is cooled off. Touching a hot drying rack may result in burns to the body, clothing or other sensitive materials.



NOTE! Ensure that when the rack tilts, the adjacent rack does not also tilt if blankets touch each other. This could lead to serious bodily injury.

5. Remove the locking pin (08) from the hinge part so that the drying rack can tilt freely.
6. Take the drying rack with 2 hands at the vertical grip and tilt the drying rack carefully.
7. If the drying rack is below an angle of 45 degrees, take the uppermost grip with one hand.
8. Then hold the uppermost grip with both hands and tilt the drying rack up to the ground.



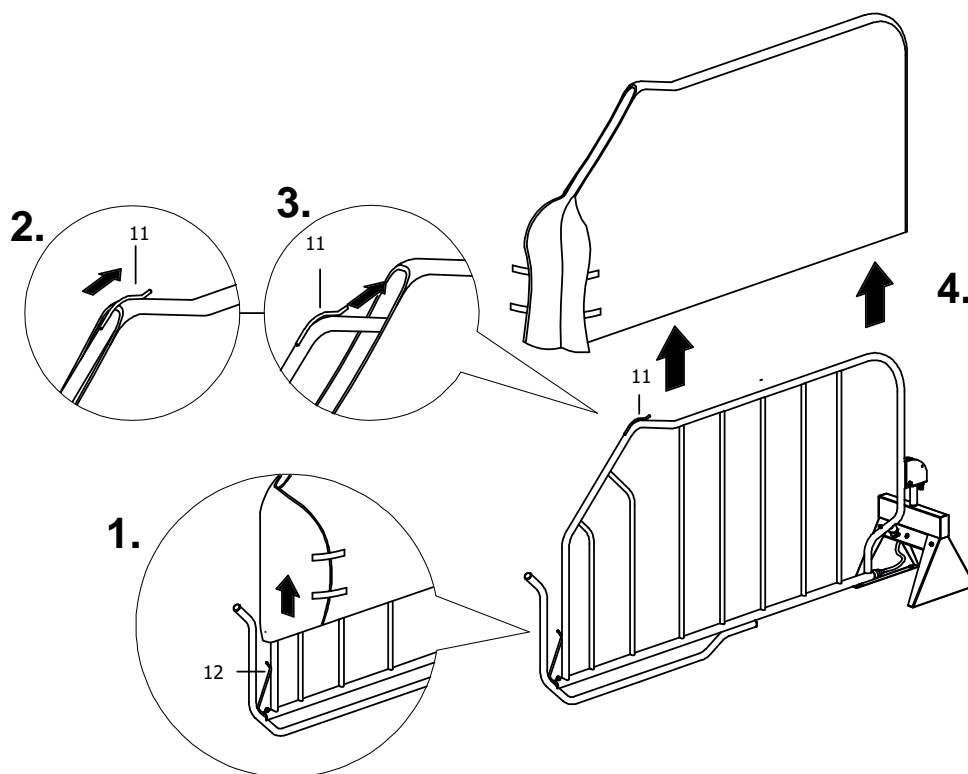
8.7 Taking off horse blankets from drying rack

If your horse blanket is dry and has cooled down, you can take it off the drying rack.



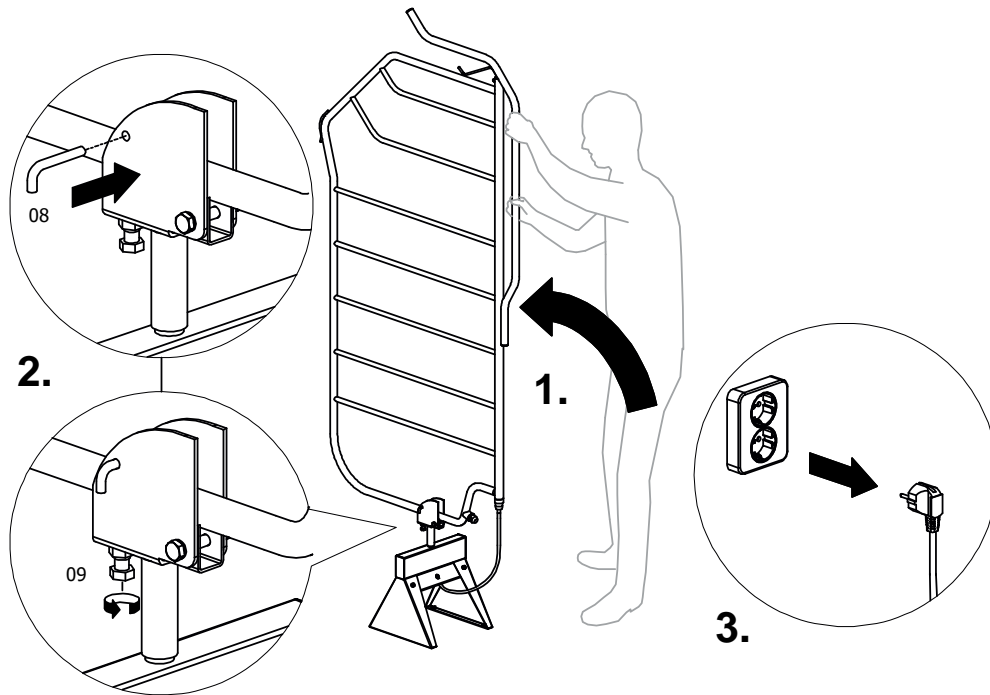
NOTE! NEVER place a horse blanket immediately from the drying rack onto your horse. This could cause burns. Let the horse blanket cool off before using it.

1. Lift up the breastpiece of the blanket.
2. Loosen the backrest part of the blanket from the uppermost clamp.
3. Push the backrest part of the blanket from the uppermost clamp.
4. Take the dry horse blankets from the drying rack.



8.8. Tilting back drying rack and switching it off

1. Take the grip of the drying rack with 2 hands and tilt it back to the vertical position.
2. Set the lock pin (08) and tighten the adjusting bolt (09) so that the drying rack cannot tilt free.
3. Remove the power plug from the mains socket.



9. Faults



If you notice shortcomings, a fault or leak when using the drying rack, then immediately deactivate put the drying rack and cut off the power connection. There is risk of fire, injury or damage in that instance.

The heating element of the drying rack is equipped with overheat protection. As soon as the radiator fluid reaches the temperature of 90°C, the fuse switches off the heating element to prevent further increase in temperature.

The overheating protection can be activated if air is present in pipe radiator or if the radiator is empty (in case of leakage).



Then immediately deactivate the drying rack and cut off the power connection. Contact your supplier directly.

Do not carry out any repair work yourself, it may be dangerous!

10. Maintenance and cleaning

We recommend that you clean the drying rack regularly. Always let the drying rack cool off before cleaning it.



NOTE! Remove the tension from the device before you clean the drying rack for your own safety.

NOTE! It is not allowed to clean the drying rack when it is being used, in view of the high temperature that the drying rack can reach.



NOTE! Ensure that the switch block does not get wet when cleaning. Clean it with a soft, dry cloth. The drying rack is only drip-proof, as a result you need to be careful with water. NEVER use high-pressure spraying.

Clean the other parts of the drying rack with a damp soft cloth and/or with a recognised neutral cleaning agent. Do not use any aggressive cleaning and/or abrasives.

Some cleaning agents produce an unhealthy fume or ignite if they are used on a hot surface.

Dry the drying rack well after cleaning.



NOTE! Always wear gloves when venting, and use a cloth.

The drying rack is filled with an exact quantity of heating fluid Bio-CV-Fluid.

Repairs in which the housing of the blanket drying rack must be opened may only be performed by the manufacturer.

We request you to contact your supplier if the drying rack needs to be filled with warming fluid.

NOTE! NEVER refill the drying rack yourself, it may result in serious injuries.



NOTE! The drying rack (pipe radiator) may only be filled with the indicated warming fluid Bio-CV-Fluid.

The drying rack must be checked at least once a year for connections and damage. Check whether the screw fastenings have been correctly fixed. If not, tighten them well.

The drying rack must not be used if it is damaged. NEVER open the drying rack. This may result in electric shocks and every kind of guarantee expires with it.

Repairs and maintenance to parts of the drying rack may only be done by specialist staff qualified for the purpose / qualified electricians.

11. Conformity declaration

EC DECLARATION OF CONFORMITY

Manufacturer: **SeBo BV**
Bevrijdingsweg 16
5171 PS Kaatsheuvel
The Netherlands

Declares with some responsibility that the product electric horse blanket drier, a device with which horse blankets can be dried

Item number: 1600115 1600230 4600115 4600230

Is compliant with the following standards:

Machine directive 2006/42/EC.
Low voltage directive 2006/95/EC.
EMC directive 2004/108/EC.

According to the harmonised standards under the directive:

-NEN-EN-ISO 12100
-NEN-EN-ISO 60204-1

City: Kaatsheuvel
Date: 01/12/2015
Name: SeBo B.V.

Director: Mr. M.R.L.J. Blom

12. Waste disposal

Dispose of the product in accordance with local legislation and regulation.

13. Guarantee conditions

Guarantee as per the guarantee conditions and general conditions of SeBo Interior & Equipage B.V. They can be found on the website www.sebointeriorequipage.com

14. Contact

Your dealer is your first point of contact in case of questions and comments.

SeBo Interior & Equipage B.V.

Bevrijdingsweg 16
5171PS Kaatsheuvel
The Netherlands

Tel: 0031 416 530 700

E-mail: info@seboeurope.com

Web: www.sebointeriorequipage.com