

SeBo®

Interior & Equipage

INITIAL COMMISSIONING

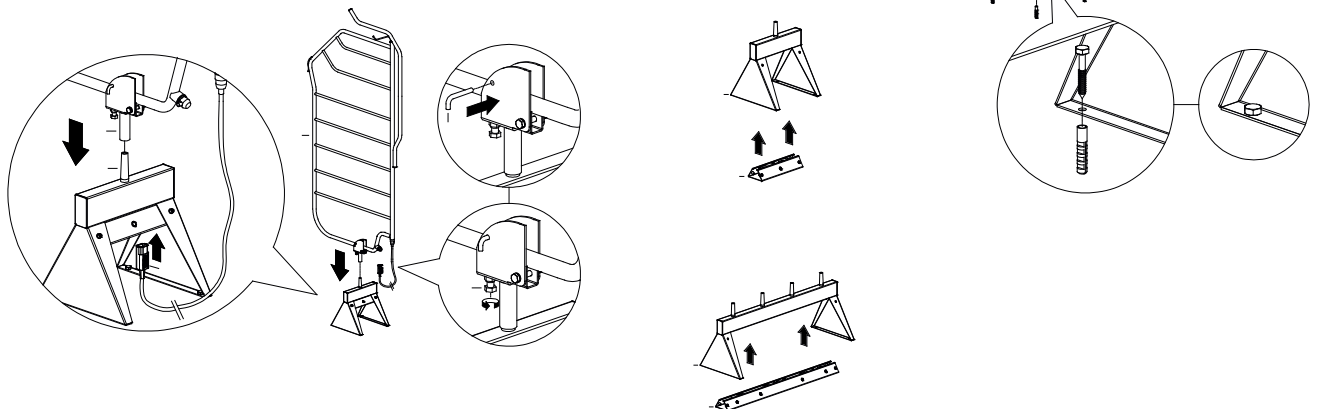
MOUNTING THE SWITCH BLOCK

Mount the simple switch block using four M6x20 socket screws at the front and rear side of the foot. The switch block is equipped with four threaded bushes.

Mounting the foot to the floor

Caution: The type of fastener used for mounting the foot to the floor depends on the type of foundation (steel, concrete or wood). The installer will determine the type of fasteners; the fasteners are not supplied as standard.

1. Drill four holes in the floor (see the user manual for the measurements).
2. Mount the foot to the floor using the appropriate fastening materials.



Ventilate before initial use



CAUTION: The drying rack must first be ventilated well *before* its initial use.

CAUTION: When using the drying rack for the first time, do not hang blankets, etc.



1. Place the rack in a vertical position. Connect the plug to the socket outlet and switch on the drying rack by pressing the foot switch. Allow the drying rack to come to operating temperature and let the drying rack operate for a complete cycle (3 hours). As a result, the liquid will expand, the air will accumulate at the automatic vent and the rack will automatically eject the surplus liquid and air.
2. **CAUTION:** DURING THE FIRST CYCLE, **HOT LIQUID CAN LEAK** FROM THE AUTOMATIC VENT.



FIRST READ THE ENTIRE USER MANUAL ON
[HTTP://SEBOINTERIOREQUIPAGE.COM/](http://sebointeriorequipage.com/)